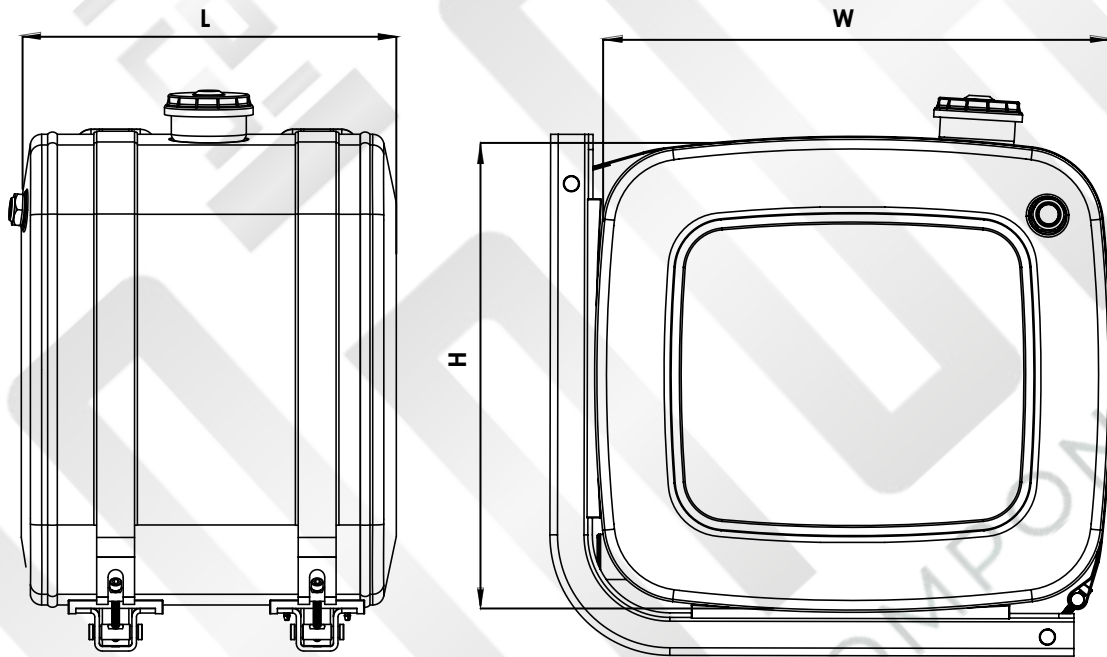


SIDE MOUNTING HYDRAULIC OIL TANK

62x67



Yükseklik (mm) Height (mm)	Genişlik (mm) Width (mm)	Uzunluk (mm) Length (mm)	Hacim (lt.) Capacity (lt)
620	670	330	120
620	670	375	135
620	670	425	150
620	670	450	165
620	670	475	170
620	670	500	180
620	670	525	190
620	670	550	200
620	670	700	250